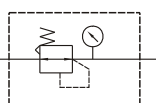


MAR401 series

AIR UNITS (R. UNIT)



Symbol:



Specification:

Model	MAR401		
Bore No.	8A	10A	15A
Port size	PT 1/4	PT 3/8	PT 1/2
Medium	Air		
Operating pressure range	0~15 kgf/cm ² (0~1.5 MPa)		
Proof pressure	20 kgf/cm ² (2 MPa)		
Regulation pressure range	Standard type: 1~8.5 kgf/cm ² (0.1~0.85 MPa)		
	High pressure type: 1~15 kgf/cm ² (0.1~1.5 MPa)		
Ambient temperature	-5~+60°C (No freezing)		
Attachment	Pressure gauge, L-type bracket		
Weight	450 g		

Order example:

MAR401 – 8A – CHP – BSP

MODEL

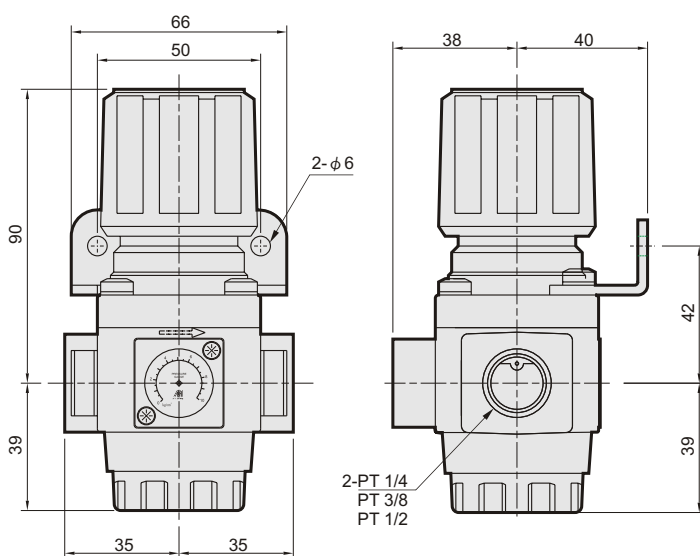
BORE SIZE

8A: PT 1/4
10A: PT 3/8
15A: PT 1/2

C: external pressure gauge
H: high pressure type
P: pressure switch (MPS series)

PORT THREAD

Blank: PT thread
BSP: BSP thread
NPT: NPT thread



Flow feature:

